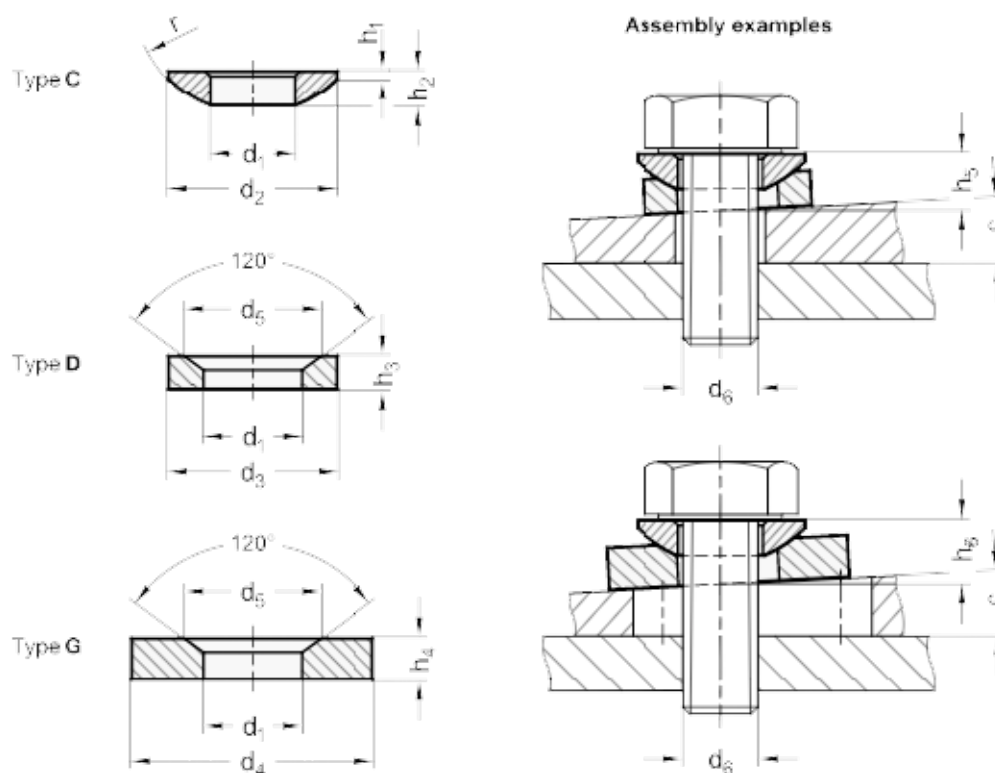


Article number: 20807011

Description: E+G Spherical washer, female  
DIN 6319-12-G

## Measures



$d_2 = 12.0$

$d_4 = 30$

$d_5 = 18.5$

$d_6 = M10$

$H_3 = 5.0$

$H_4 = 6.5$